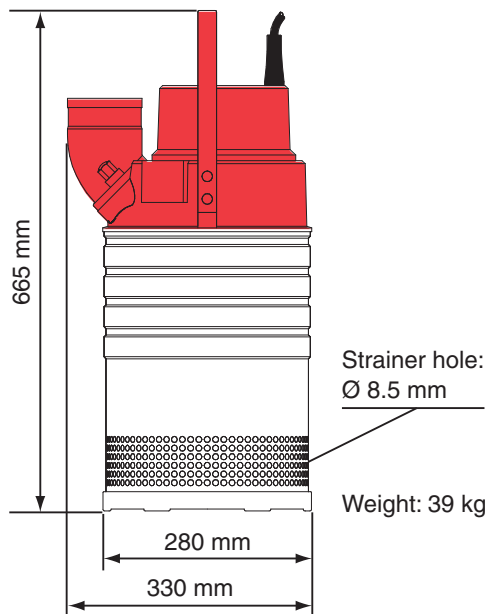
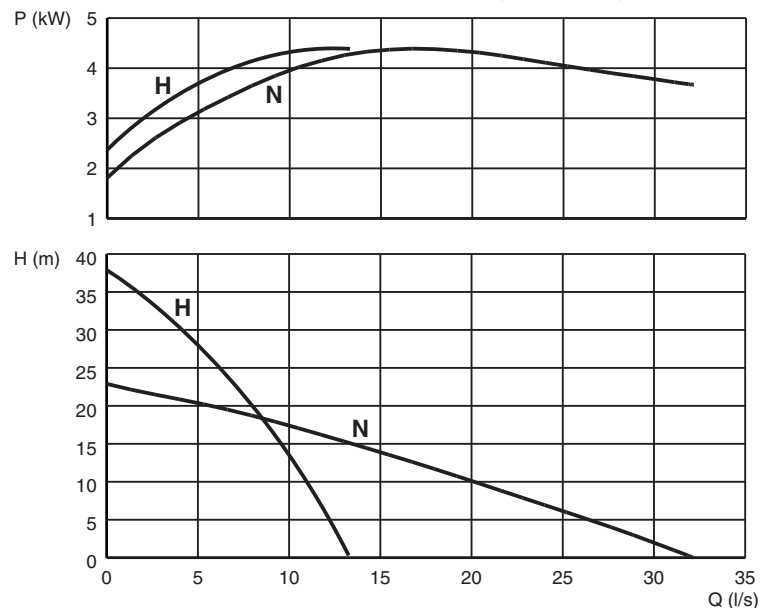


MINOR*Electrical submersible drainage pump***50 Hz**www.grindex.com**PROLINE**

The curves have been designed according to ISO 2548C

**Pump types**

N: Normal pressure

H: High pressure

Classification

Electrical submersible pump

Protection class: IP68

Max. submersion depth: 20 m

Electrical motor

Squirrel cage induction motor

Insulation class: F (IEC 85)

Technical data

Shaft speed	r.p.m.	2800
Rated output	kW	3.2
Max. power cons.	kW	4.4
Rated current A at	230 V	12
	400 V	7.0
	500 V	5.6

*Other voltages on request***Motor protector**

Phase sequence control, phase failure guard, temperature guard with thermal contacts in the stator, airvalve (= SMART-system)

Power cable

H07RN-F, length 20 m
4x2.5 mm²

Shaft seals

Double mechanical face seals with an oil compartment between the seals

Material lower seal: Silicon carbide - silicon carbide

Material upper seal: Carbon - silicon carbide

Bearings

Lower: Double angular contact ball bearing with C3 clearance

Upper: Ball bearing with C3 clearance

Discharge connections

Hose, BSP or NPT

N: 3" (4")

H: 3"

Materials

Casted parts	Aluminium
Outer casing	Stainless steel
Motor shaft	Stainless steel
Impeller	Cr-alloyed white cast iron
Screws and nuts	Stainless steel
Diffusers	Polyurethane or nitrile rubber

Accessories

Tandem connection

Low suction collar

Zinc anodes

Float switch

Limitations

Max. submersion depth: 20 m

Max. liquid temperature: 40°C

Max. liquid density: 1100 kg/m³

pH of the liquid: 5-8

Specifications can be changed without notice.